

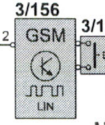
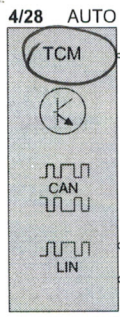
Group 35 Lighting Reversing lights

TCM

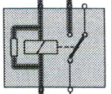
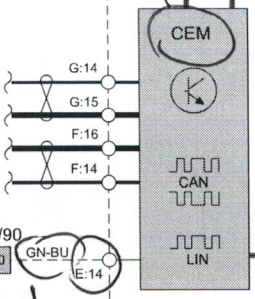
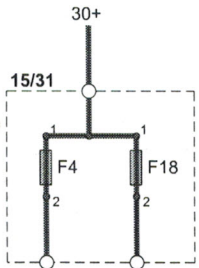
connector tranny

connector passenger side engine bay

switch on gear shifter



winter mode button



CEM = fuse box under glove box

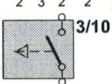
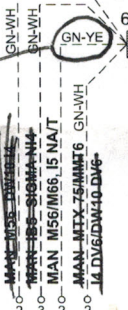
connector on tranny

Green Yellow wire

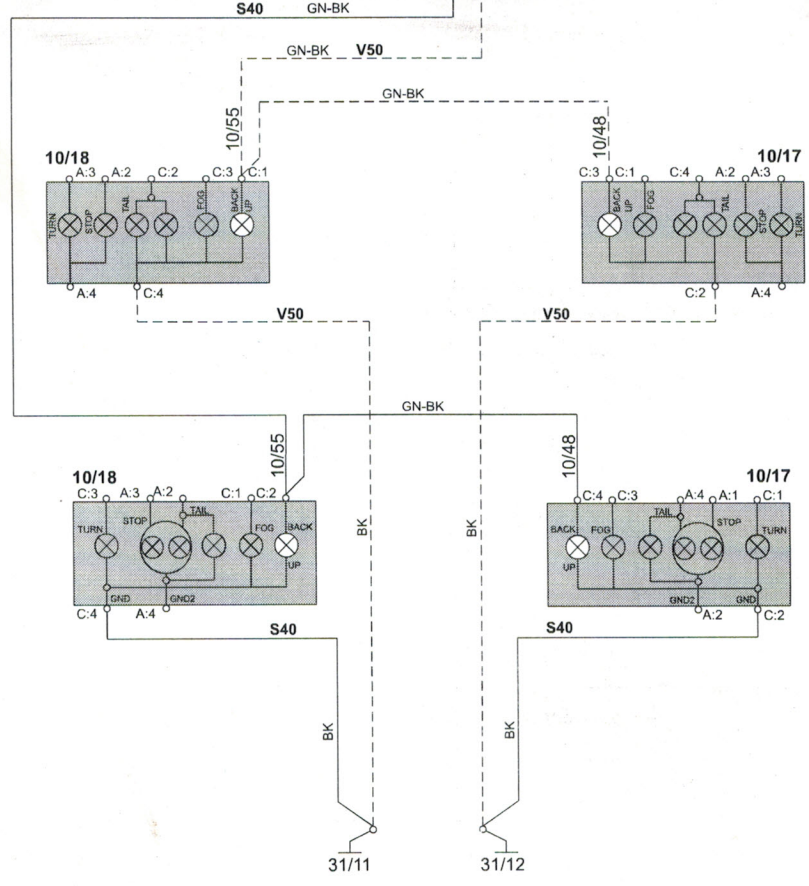
Green Blue

fuse #10

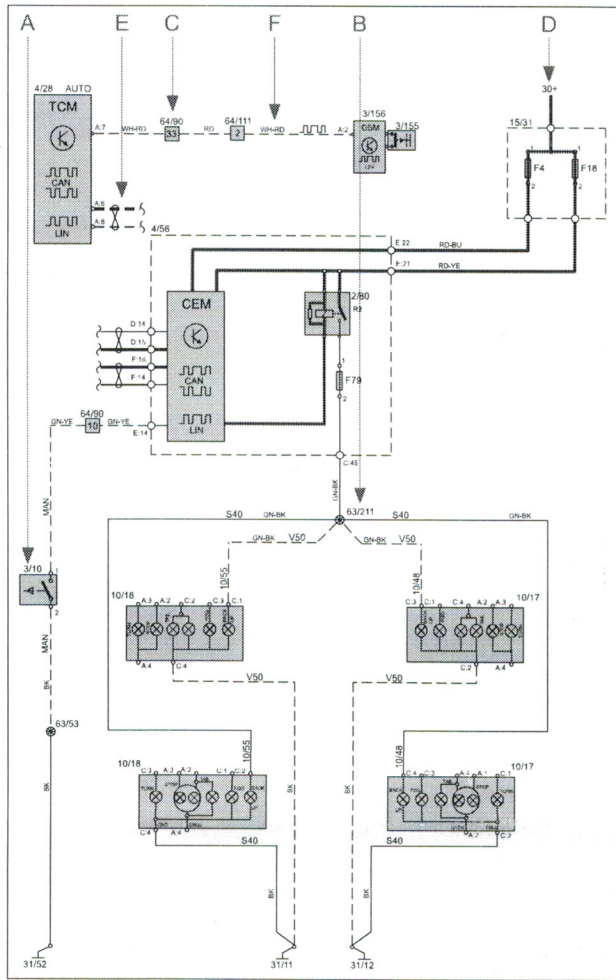
Reverse Sensor on M66






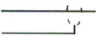


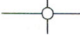





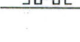
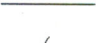

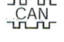




Ground on Driver shut tower

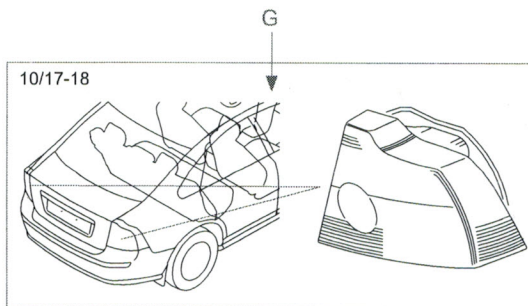


How to use the wiring diagrams 2:2

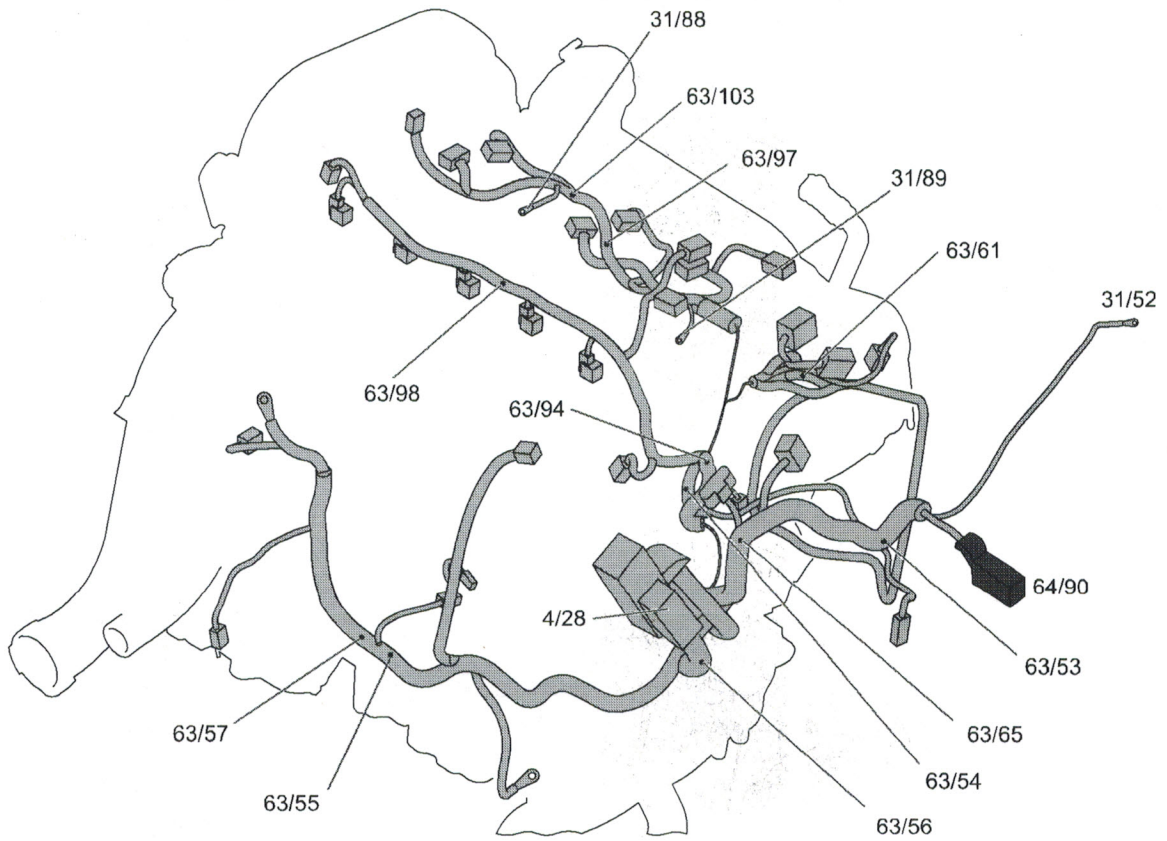


List of symbols

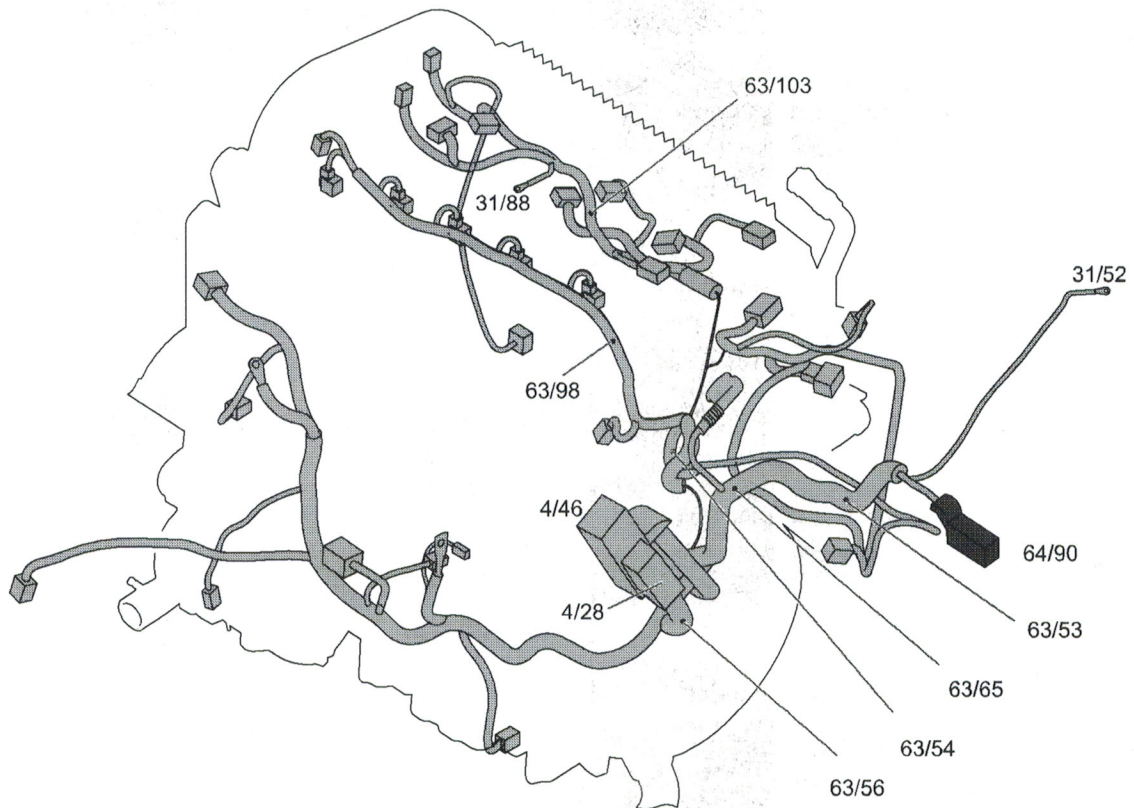
-  = System voltage
-  = Ground connection via wiring
-  = Ground connection on component/chassis
-  = Screened wire
-  = Junction point
-  = Twisted cable
-  = Electrical connection
-  = Variant
-  = CAN communication
-  = CAN high data signal (CAN H)
-  = CAN low data signal (CAN L)
-  = MOST communication
-  = LIN communication
-  = DIN cable, coaxial cable, etc.
-  = Data communication
-  = CAN communication
-  = Connection with distribution box
-  = Further connection to...
-  = Connector between cable harnesses
-  = Connector connected to component



Cable harness routing in vehicle
Engine harness, Gasoline 5-cyl.



Cable harness routing in vehicle
Engine harness, Gasoline, 5-cyl., Turbo



Connectors

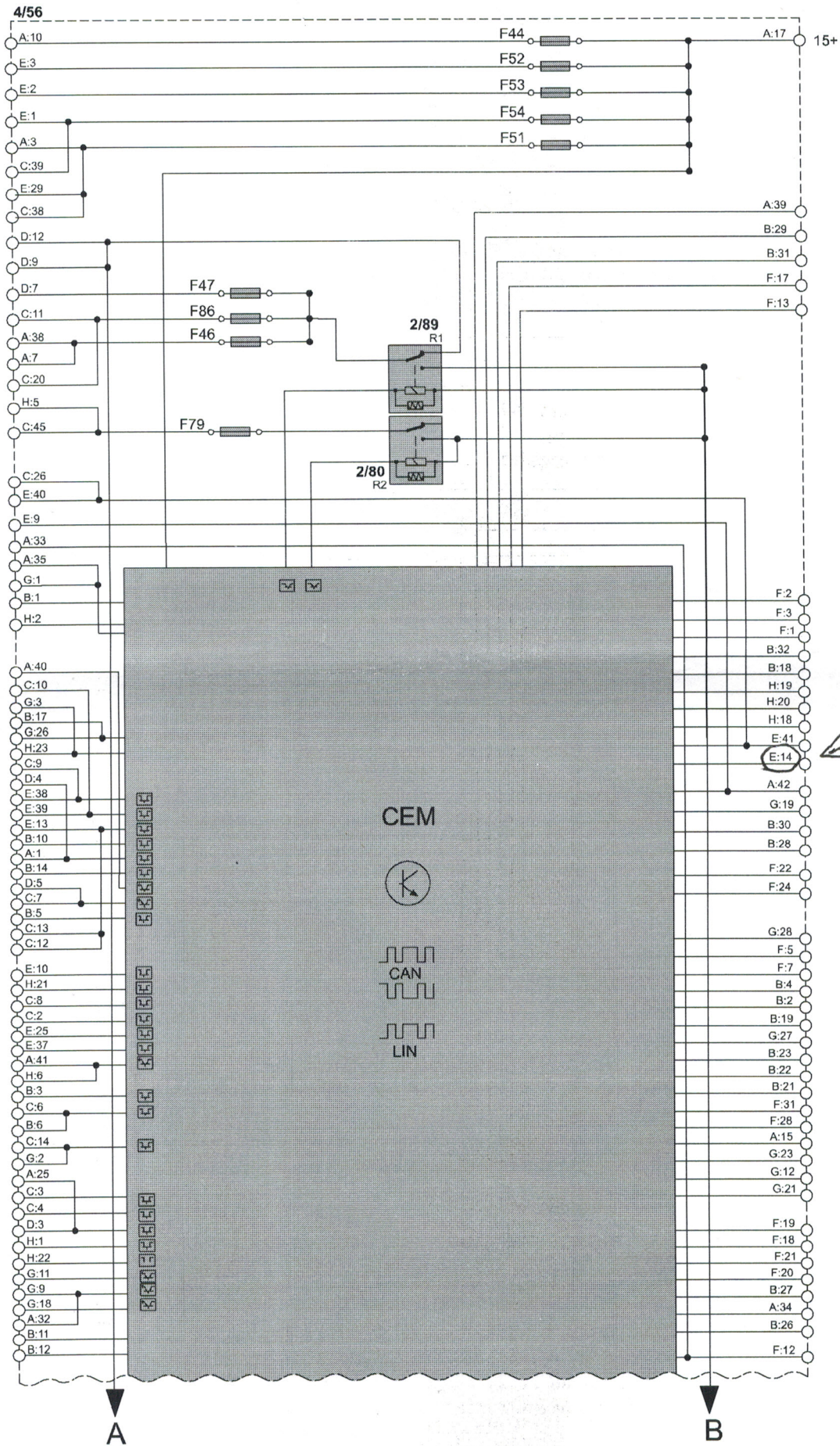
64/90:6-15

64/90
41-pin black

No.	Engine harness		Engine compartment harness			
6	9/38:1	Heated fuel filter, Diesel	GN-RD	F33:2	Fuse	GN-RD
7	4/46.2A:E2	Engine Control Module (ECM), D2.0l	WH-GN	4/56G:30	Central Electronic Module (CEM), Diesel	WH-GN
	4/46.4C:B3	Engine Control Module (ECM), D1.6l				
8	4/46.1B:41	Engine Control Module (ECM), NA	GN-WH	4/56E:40	Central Electronic Module (CEM)	GN-WH
	4/46.1B:30	Engine Control Module (ECM), T				
	4/46.2A:E4	Engine Control Module (ECM), D2.0l				
	4/46.3A:40	Engine Control Module (ECM), 1.6l				
	4/46.4A:A2	Engine Control Module (ECM), D1.6l				
	4/46.5A:39	Engine Control Module (ECM), 1.8l				
9	4/46.1B:17	Engine Control Module (ECM), T	GN-BU	4/56 E:9	Central Electronic Module (CEM), 5-cyl.	GN-BU
	64/90:31	Connector, 5-cyl. T man. & NA				
10	3/10:2	Reversing light contact, MAN 5-cyl.	GN-YE	4/56E:14	Central Electronic Module (CEM)	GN-BU
	3/10:2	Reversing light contact, MAN Diesel	GN-WH			
	3/10:3	Reversing light contact, MAN 4-cyl.				
11	6/25A:1	starter motor	GY	2/35:5	Relay, starter motor	GY
	64/120:1	Connector, 4-cyl. & Diesel				
12	8/133:1	Fuel pressure control valve, D2.0l	GN-BU	F34:2	Fuse	GN-BU
	63/103	Branching point, 4-cyl.				
	63/52	Branching point, 4-cyl. 1.6l	GN-RD			
	63/95	Branching point, 4-cyl. 1.8l				
	8/111:1	High pressure solenoid valve, D1.6l	GN-YE			
13	4/46.1B:15	Engine Control Module (ECM), T AWD	RD	F30:2	Fuse, Diesel	RD
	4/46.3B:F9	Engine Control Module (ECM)				
	4/46.4B:G4	Engine Control Module (ECM), D1.6l				
	7/200:1	Premair sensor	GN-WH	F54:2	Fuse, 5-cyl. NA	GN-YE
14	63/54	Branching point	GN-BU	F35:2	Fuse	GN-BU
	8/18:1	EVAP valve	GN-RD			
	8/65:2	Power steering pressure monitor	GN-WH			
15	4/46.1B:54	Engine Control Module (ECM), T	GY-RD	63/222	Branching point	GY-RD
	4/46.2A:A4	Engine Control Module (ECM), D2.0l				
	4/46.4A:A4	Engine Control Module (ECM), D1.6l				
continues						

Control modules

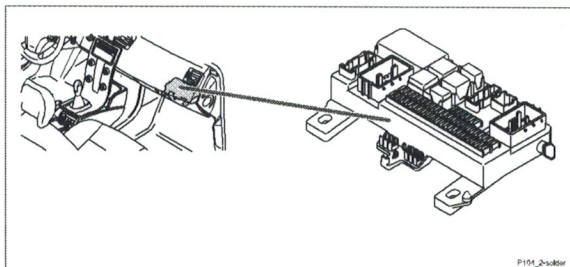
Central Electronic Module 1:2



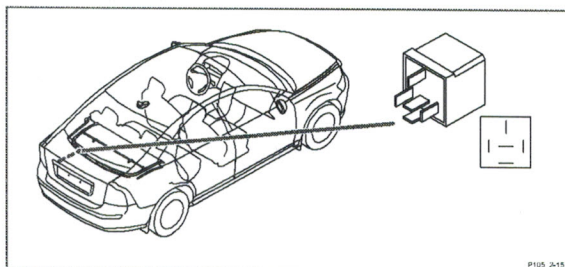
Component illustrations

2/80 - 2/192

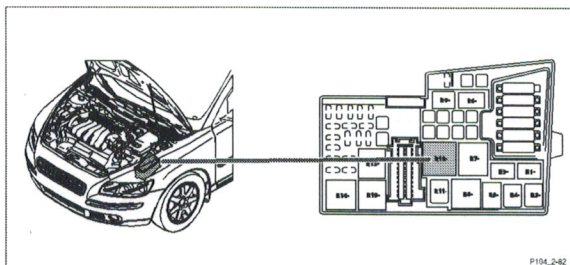
2/80 Relay, reversing light



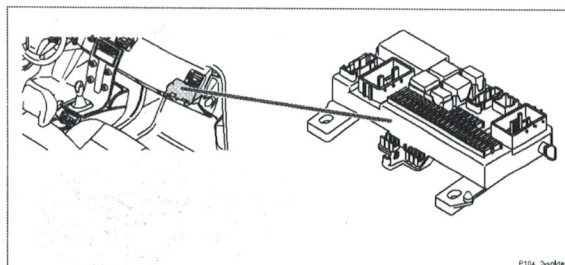
2/157 Relay, subwoofer control module



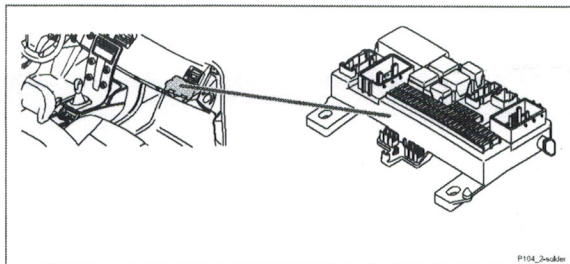
2/82 Relay, heated rear window



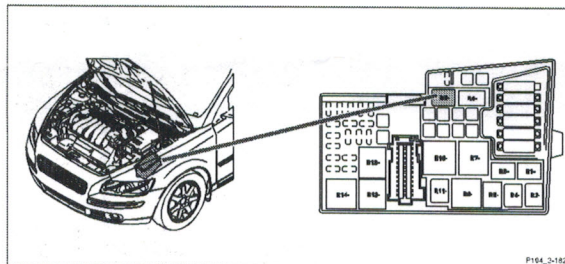
2/159 Relay, infotainment



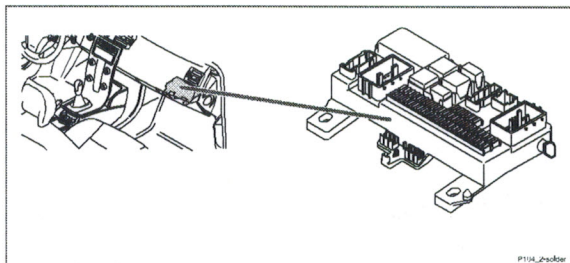
2/89 Relay, interior lighting



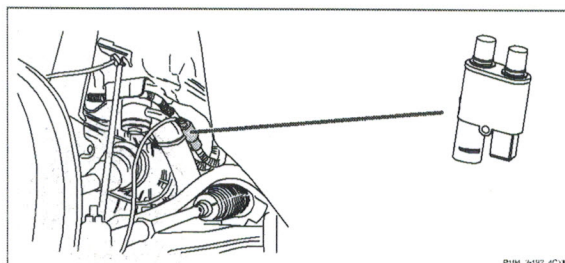
2/182 Relay, headlight washer motor



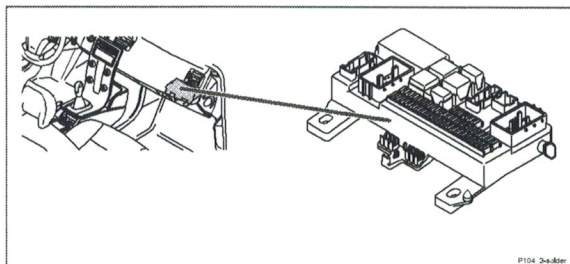
2/92 Relay, windshield washer motor



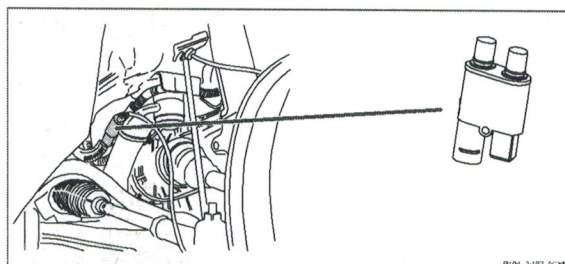
2/192 Relay, electric engine heater, 4-cyl.



2/93 Relay, rear window washer motor



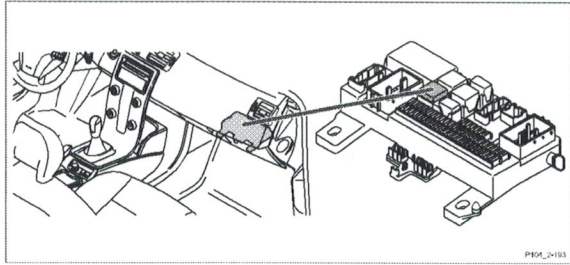
2/192 Relay, electric engine heater, 5-cyl.



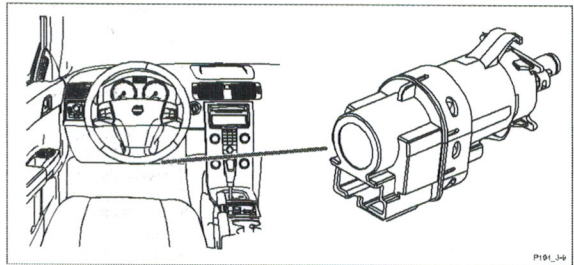
Component illustrations

2/193 - 3/27

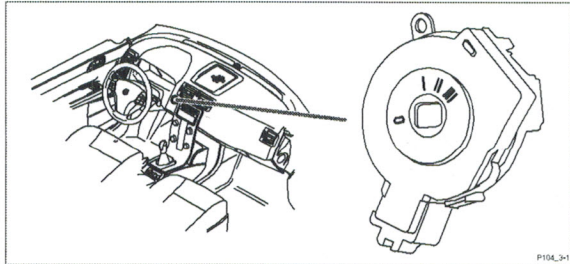
2/193 Relay, comfort functions



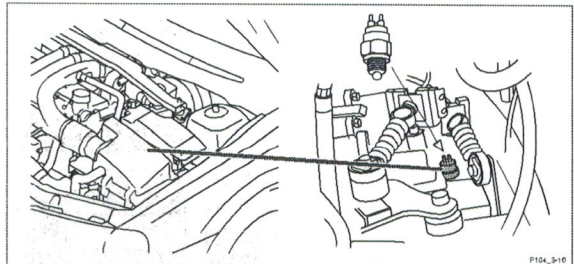
3/9 Contact brake light



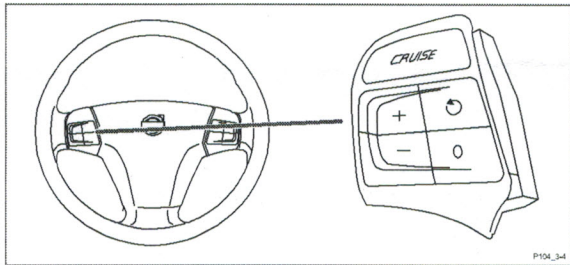
3/1 Ignition switch



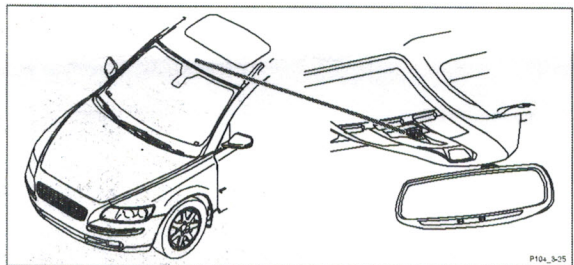
3/10 Reversing light contact



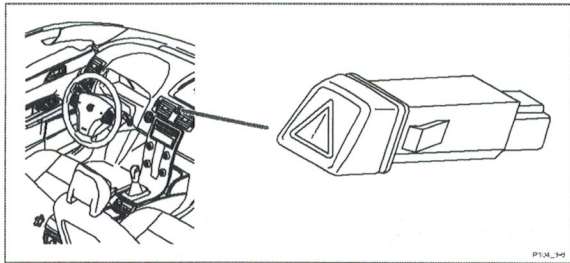
3/4 Switch unit, cruise control (SWS)



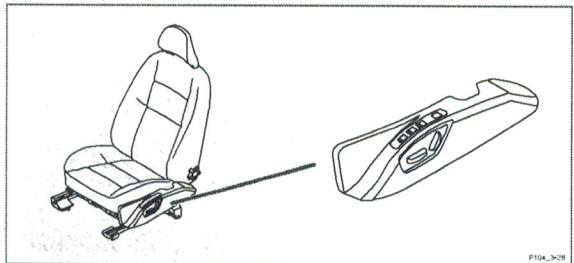
3/25 Switch, power sunroof



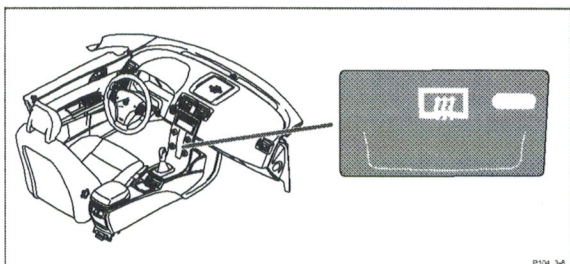
3/6 Switch, hazard warning flashers



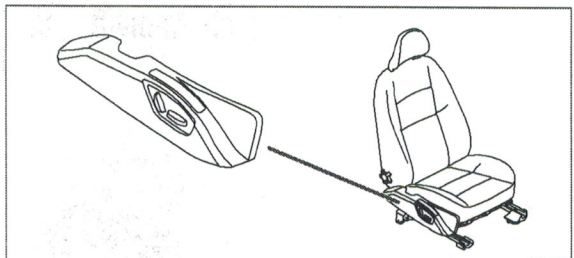
3/26 Switch unit, power driver's seat



3/8 Switch, heated rear window/door mirrors



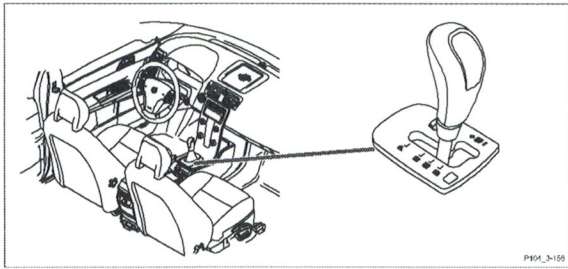
3/27 Switch unit, power passenger seat



Component illustrations

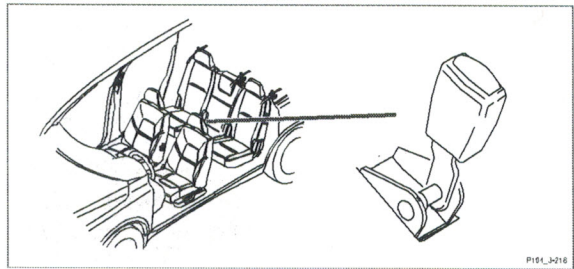
3/156 - 3/256

3/156 Gear Selector Module (GSM)



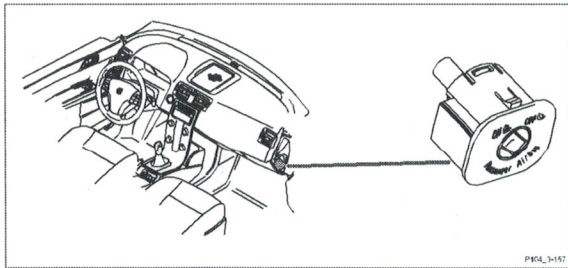
P104_3-156

3/218 Belt buckle contact, center rear



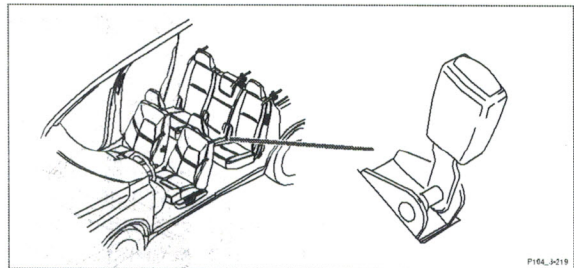
P104_3-218

3/157 Switch, passenger side airbag



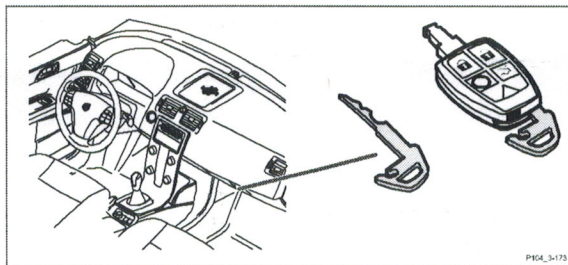
P104_3-157

3/219 Belt buckle contact, right rear



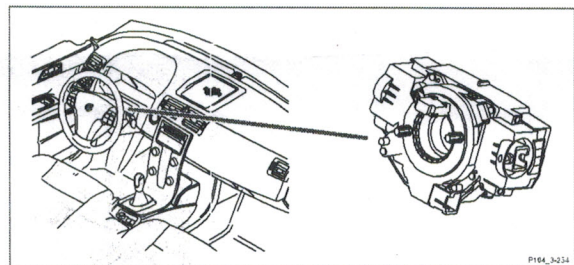
P104_3-219

3/173 Switch, trunk lid/tailgate private lock



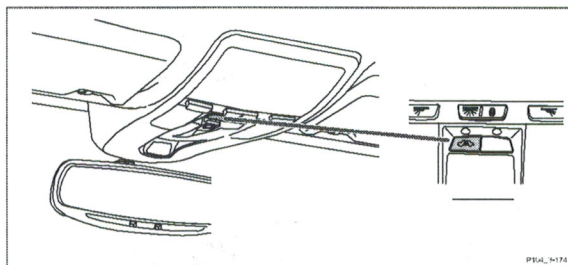
P104_3-173

3/254 Steering Wheel Module (SWM)



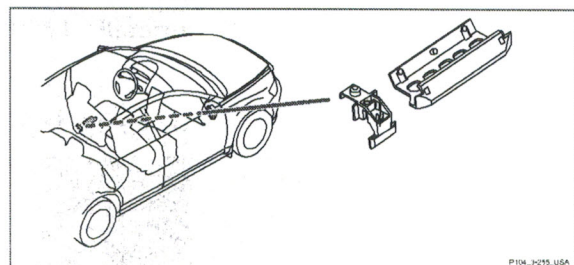
P104_3-254

3/174 Switch, reduced alarm



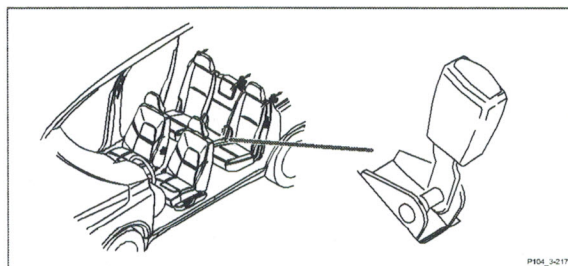
P104_3-174

3/255 Position sensor, driver's seat



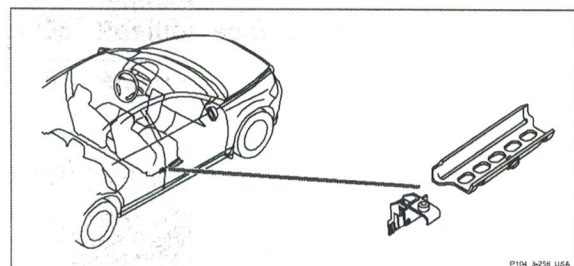
P104_3-255_USA

3/217 Belt buckle contact, left rear



P104_3-217

3/256 Position sensor, passenger seat

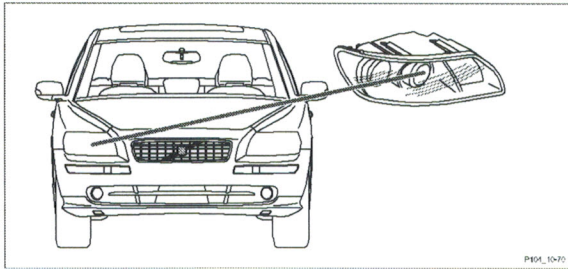


P104_3-256_USA

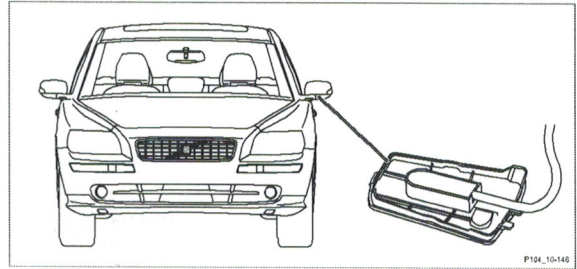
Component illustrations

10/70 - 16/1

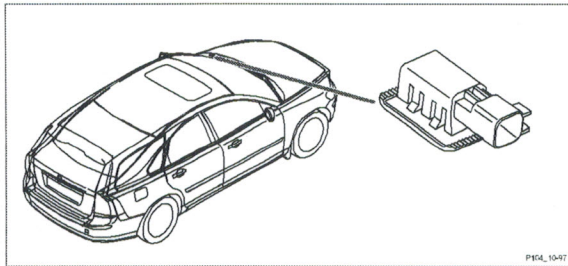
10/70 Low beam, left



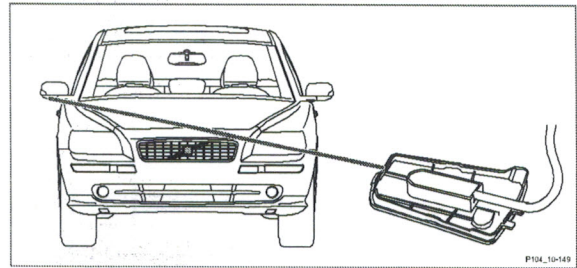
10/148 Lighting, rear-view mirror driver's door



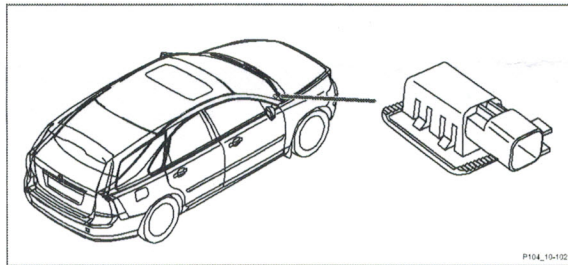
10/97 Courtesy lighting, left



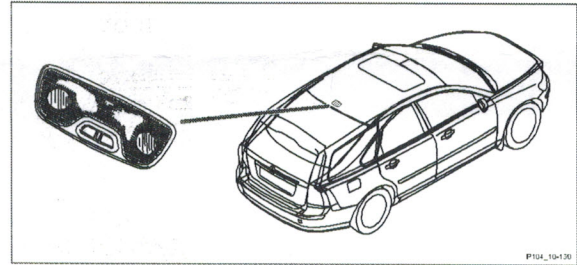
10/149 Lighting, rear-view mirror passenger door



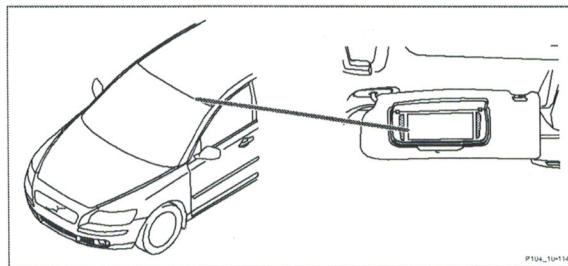
10/102 Courtesy lighting, right



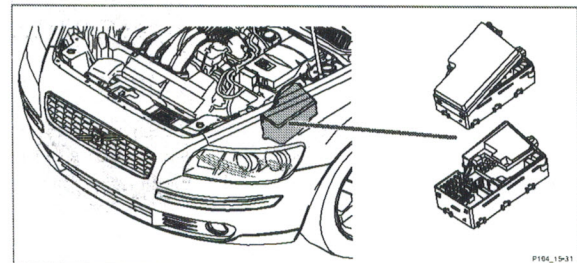
10/150 Rear reading light



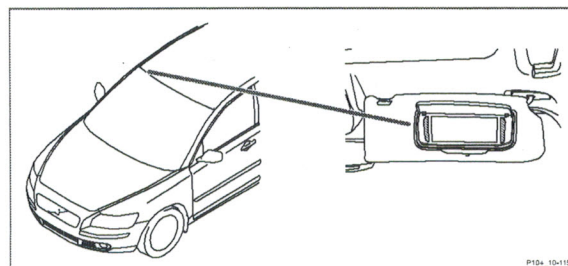
10/114 Vanity mirror lighting, left



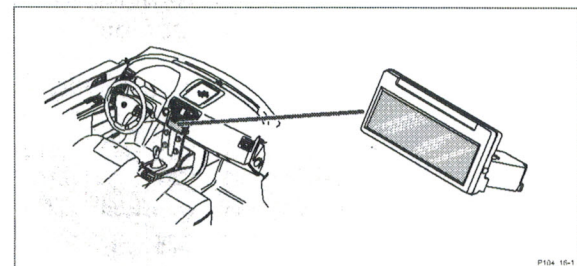
15/31 Distribution box in engine compartment



10/115 Vanity mirror lighting, right



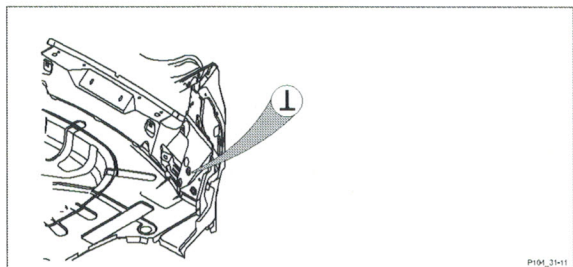
16/1 Integrated Audio Module (IAM)



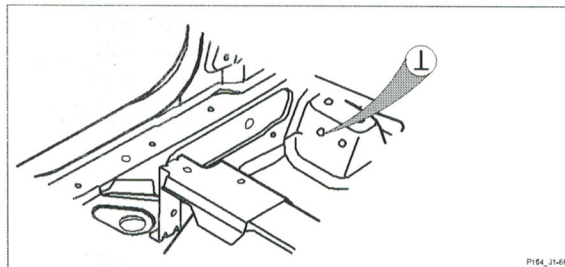
Component illustrations

31/11 - 31/84

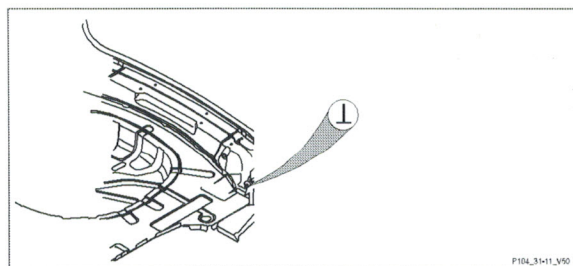
31/11 Ground connection, rear left side, S40



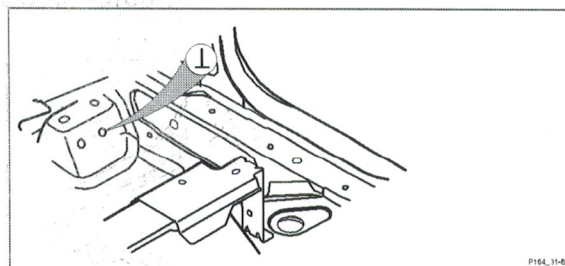
31/66 Ground connection, front left seat riser



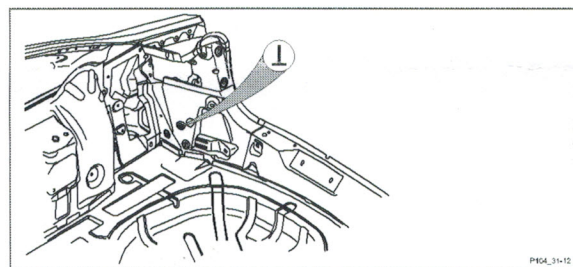
31/11 Ground connection, rear left side, V50



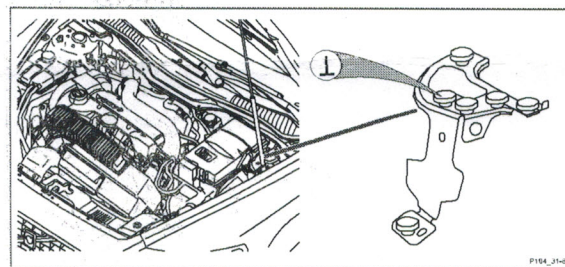
31/67 Ground connection, front right seat riser



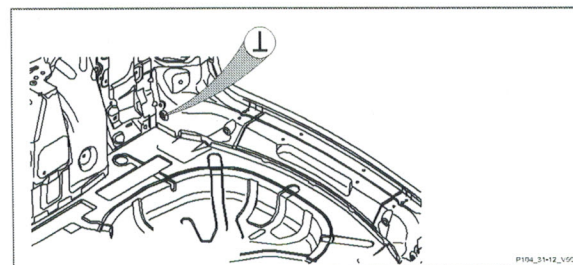
31/12 Ground connection, rear right side, S40



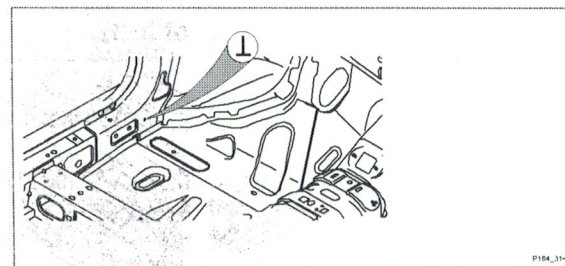
31/80 Ground connection, left MacPherson strut tower



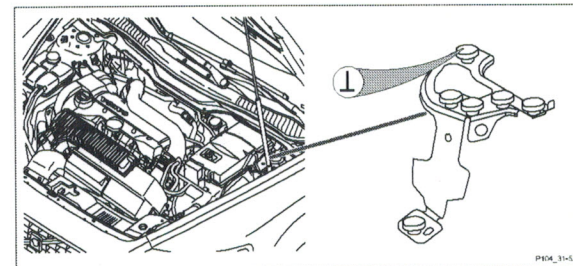
31/12 Ground connection, rear right side, V50



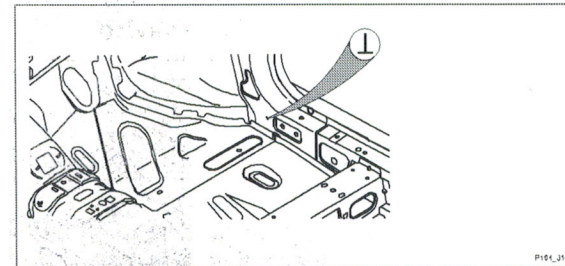
31/83 Ground connection, A-post, driver's side



31/52 Ground connection, left MacPherson strut tower



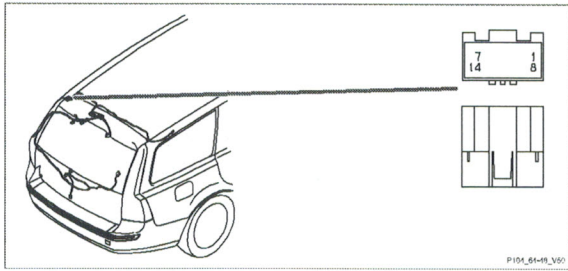
31/84 Ground connection, A-post, passenger side



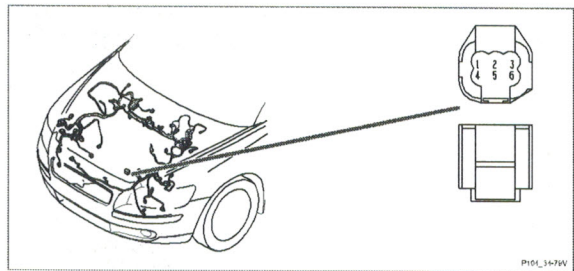
Component illustrations

64/48 - 64/51

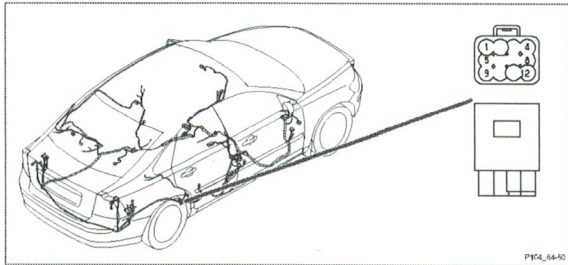
64/48 Connector, V50



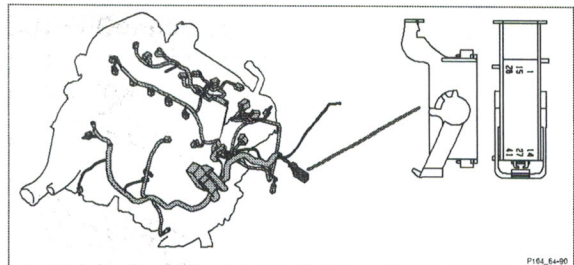
64/79V Connector



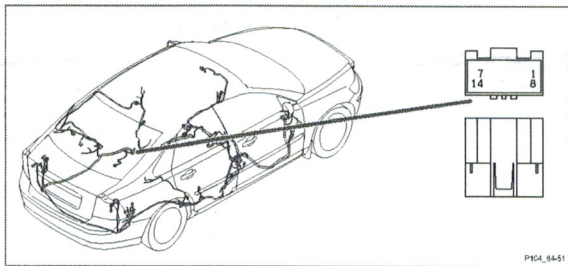
64/50 Connector



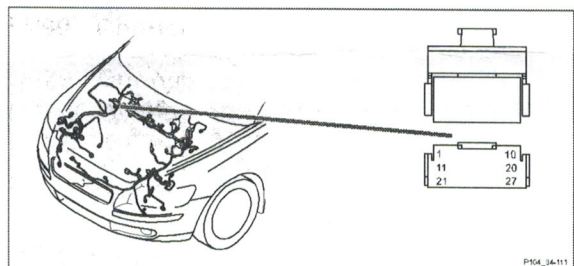
64/90 Connector



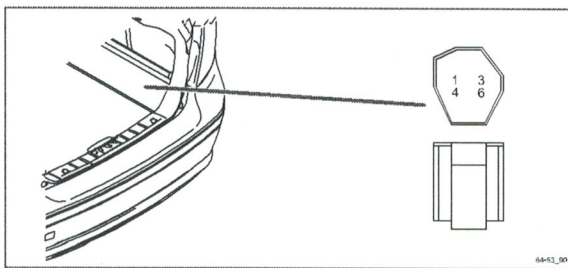
64/51 Connector



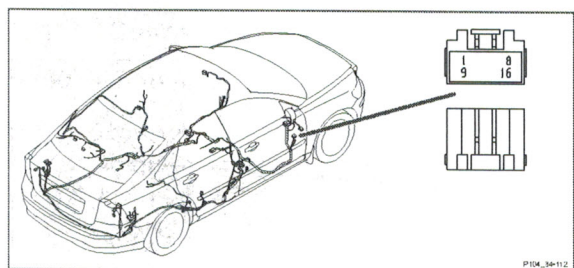
64/111 Connector



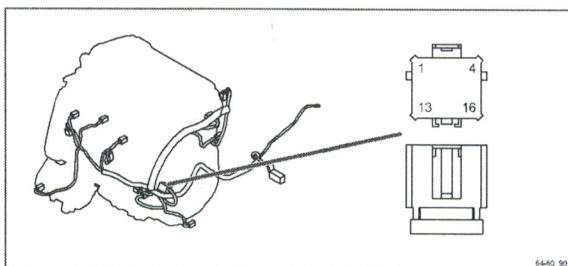
64/53 Connector



64/112 Connector



64/60 Connector



64/113 Connector

